

REVISION RECORD			
LTR	ECO NO:	APPROVED:	DATE:

COMPANY: **Analog Devices, Inc.**

TITLE: **ECG**

DRAWN: <Drawn By>	DATED: <Drawn Date>
CHECKED: <Checked By>	DATED: <Checked Date>
QUALITY CONTROL: <QC By>	DATED: <QC Date>
RELEASED: <Released By>	DATED: <Release Date>

CODE: <Code>	SIZE: B	DRAWING NO: <Drawing Number>	REV: <Revision>
------------------------------	-------------------	--	---------------------------------

SCALE: <Scale> SHEET: bf 7

6 5 4 3 2 1

REVISION RECORD			
LTR	ECO NO:	APPROVED:	DATE:

D

D

C

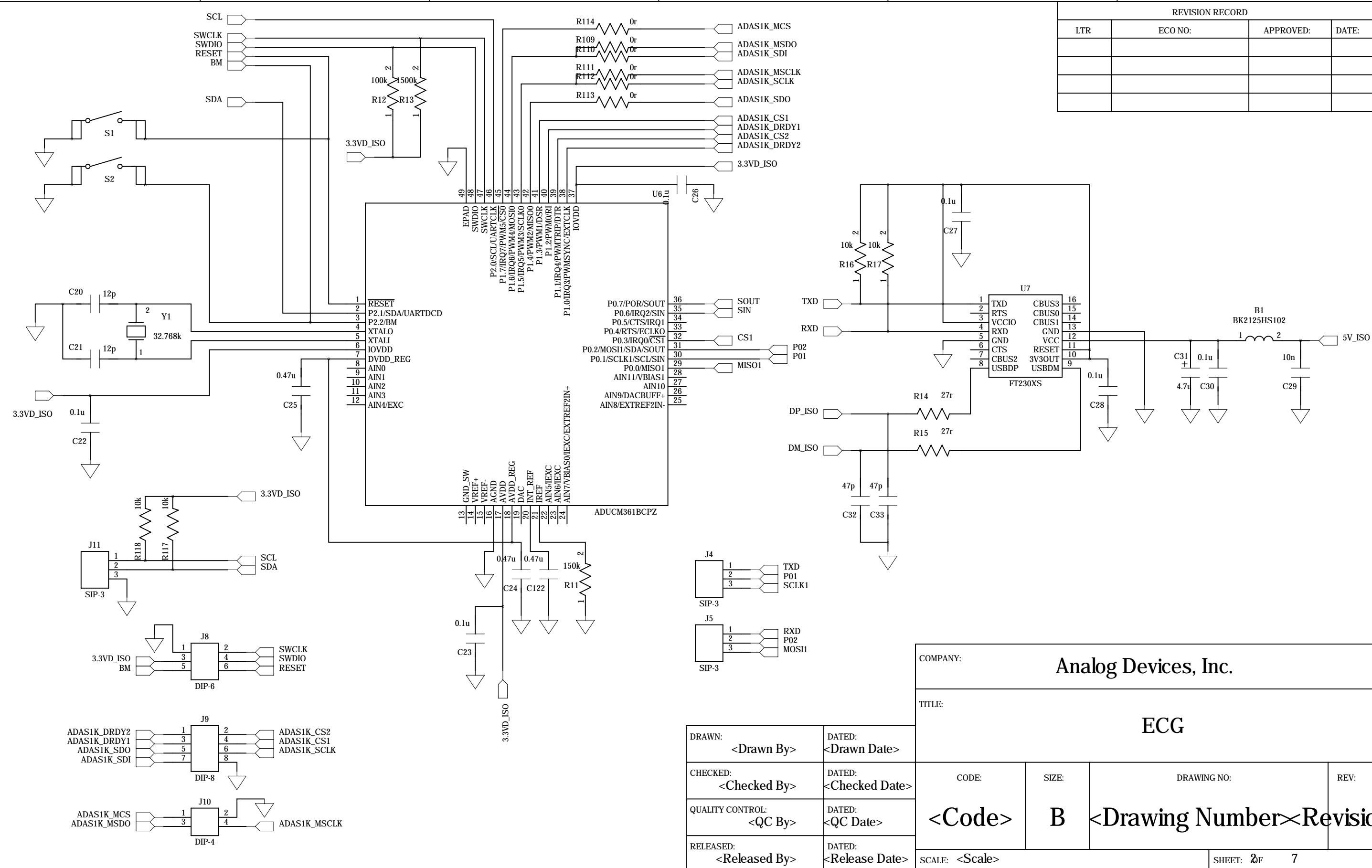
C

B

B

A

A



COMPANY: Analog Devices, Inc.

TITLE: ECG

DRAWN: <Drawn By>	DATED: <Drawn Date>
CHECKED: <Checked By>	DATED: <Checked Date>
QUALITY CONTROL: <QC By>	DATED: <QC Date>
RELEASED: <Released By>	DATED: <Release Date>

CODE:	SIZE:	DRAWING NO:	REV:
<Code>	B	<Drawing Number>	<Revision>
SCALE: <Scale>			SHEET: 2 OF 7

6

5

4

3

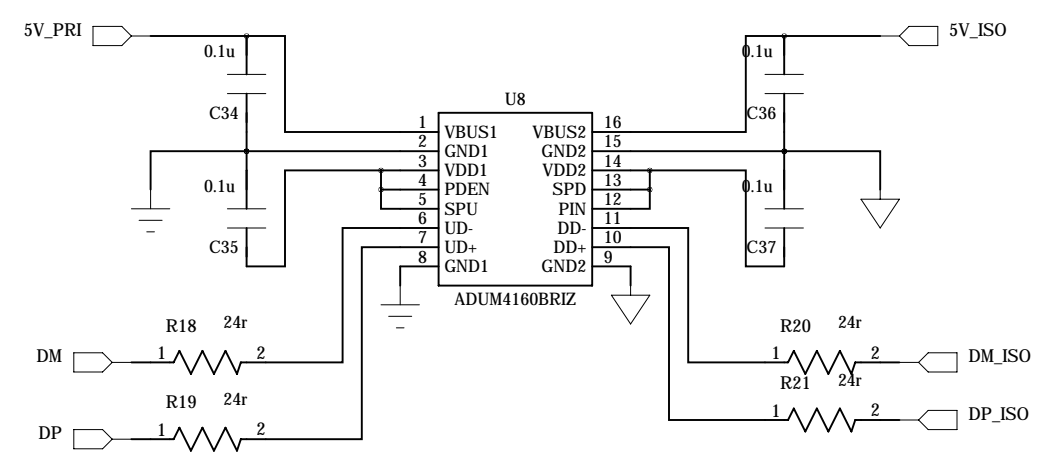
2

1

REVISION RECORD			
LTR	ECO NO:	APPROVED:	DATE:

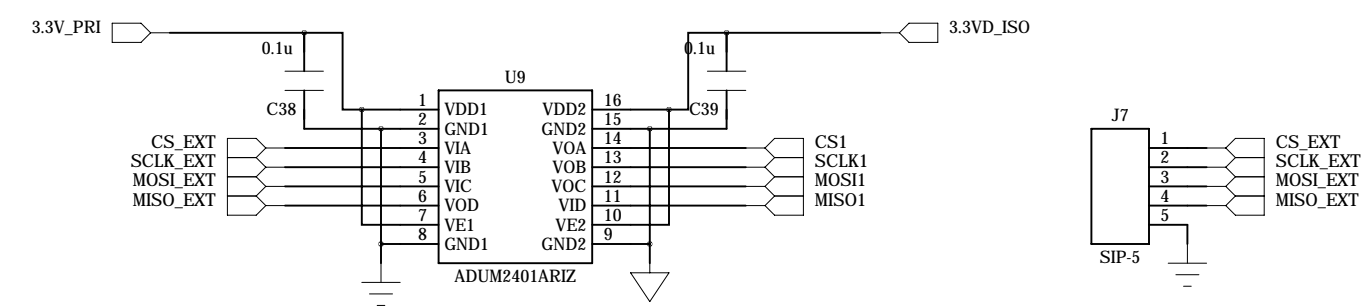
D

D



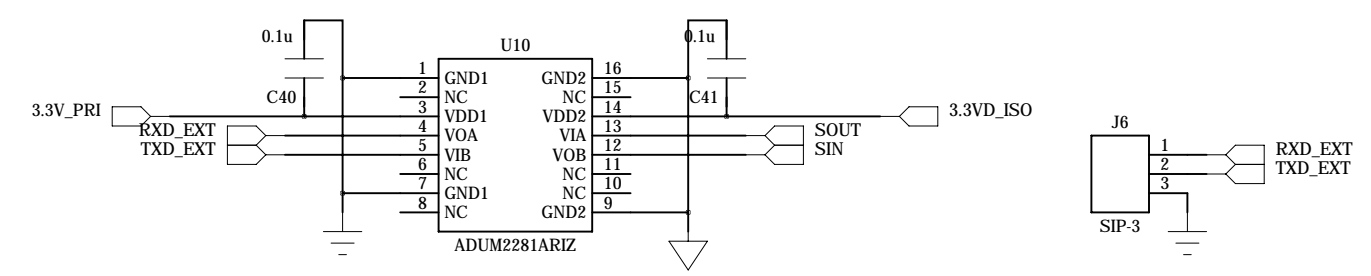
C

C



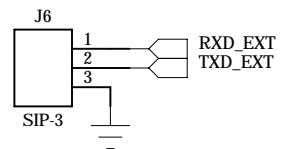
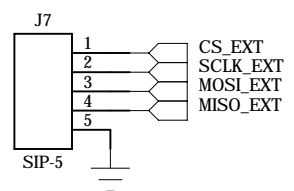
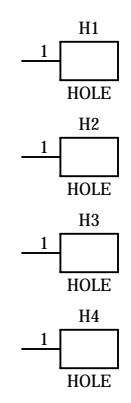
B

B



A

A

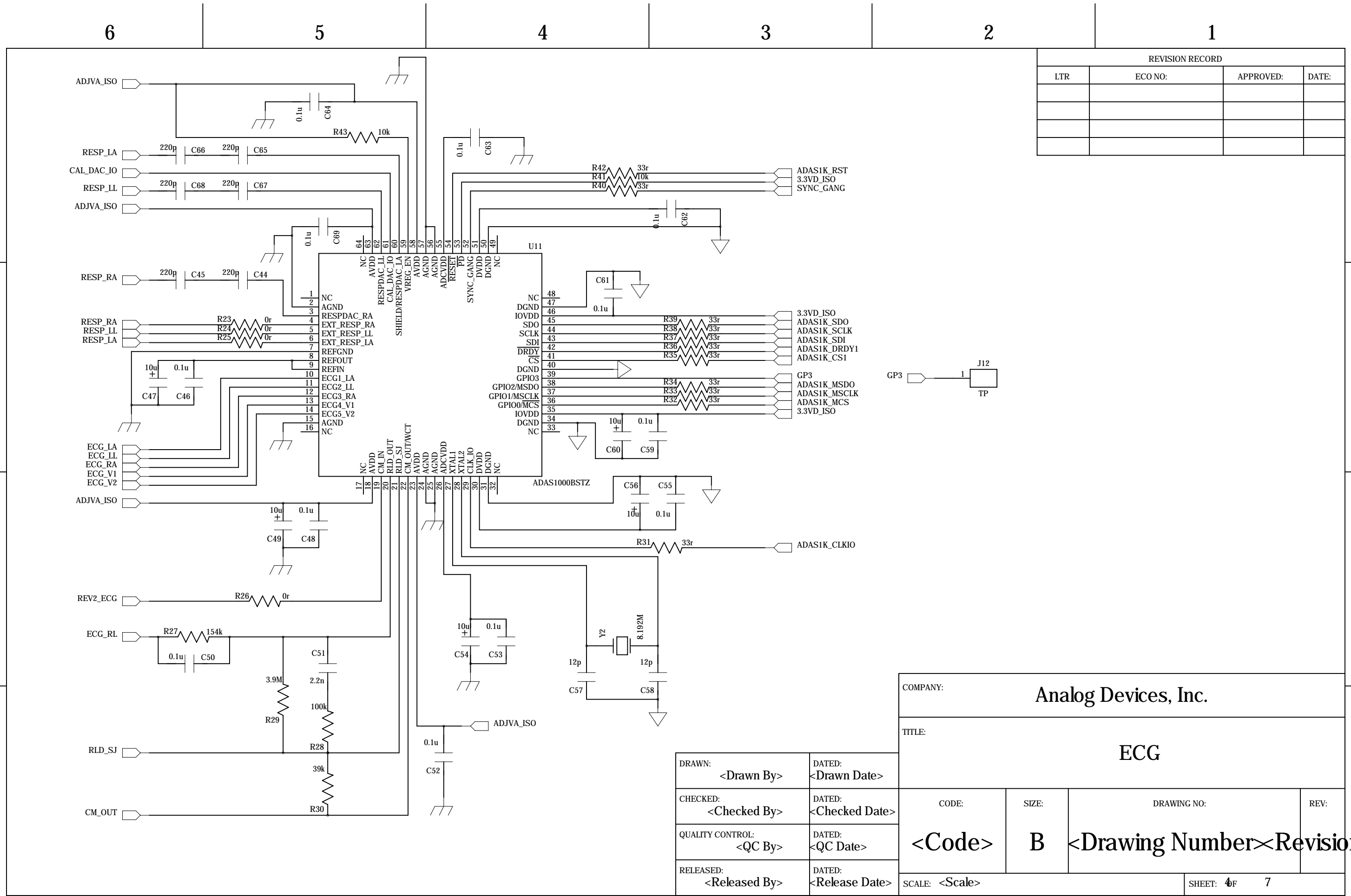


COMPANY: Analog Devices, Inc.

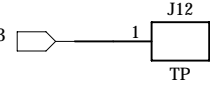
TITLE: ECG

DRAWN: <Drawn By>	DATED: <Drawn Date>
CHECKED: <Checked By>	DATED: <Checked Date>
QUALITY CONTROL: <QC By>	DATED: <QC Date>
RELEASED: <Released By>	DATED: <Release Date>

CODE:	SIZE:	DRAWING NO:	REV:
<Code>	B	<Drawing Number>	<Revision>
SCALE: <Scale>		SHEET: 3F 7	



REVISION RECORD			
LTR	ECO NO:	APPROVED:	DATE:



COMPANY:				Analog Devices, Inc.			
TITLE:				ECG			
DRAWN:		DATED:		CODE:		SIZE:	
<Drawn By>		<Drawn Date>		<Code>		B	
CHECKED:		DATED:		DRAWING NO:		REV:	
<Checked By>		<Checked Date>		<Drawing Number>		<Revision>	
QUALITY CONTROL:		DATED:		SCALE: <Scale>			
<QC By>		<QC Date>		SHEET: 4 OF 7			
RELEASED:		DATED:					
<Released By>		<Release Date>					

6 5 4 3 2 1

REVISION RECORD			
LTR	ECO NO:	APPROVED:	DATE:

D

D

C

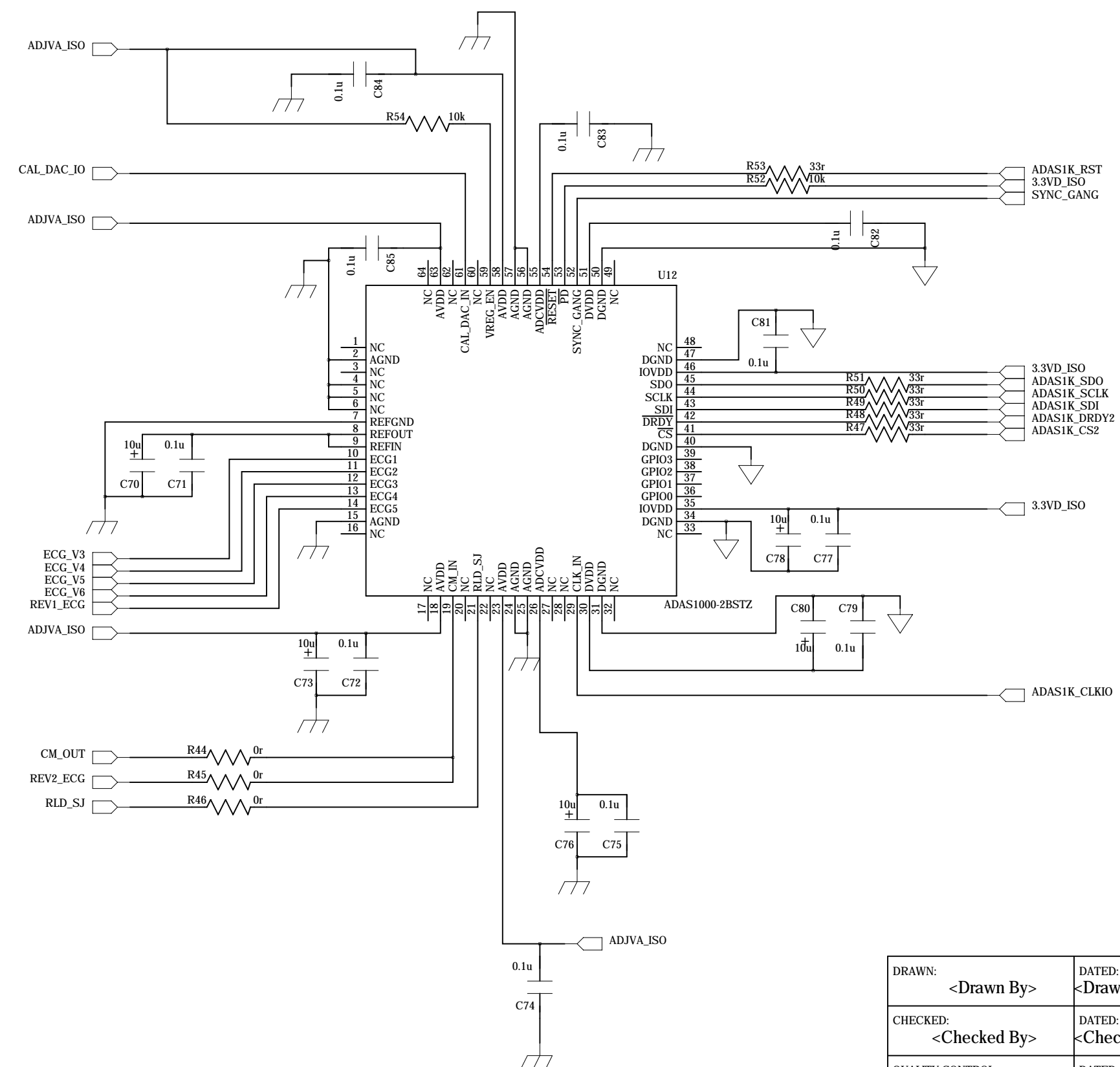
C

B

B

A

A



COMPANY: Analog Devices, Inc.

TITLE: ECG

DRAWN: <Drawn By>	DATED: <Drawn Date>
CHECKED: <Checked By>	DATED: <Checked Date>
QUALITY CONTROL: <QC By>	DATED: <QC Date>
RELEASED: <Released By>	DATED: <Release Date>

CODE:	SIZE:	DRAWING NO:	REV:
<Code>	B	<Drawing Number>	<Revision>
SCALE: <Scale>		SHEET: 5F 7	

6

5

4

3

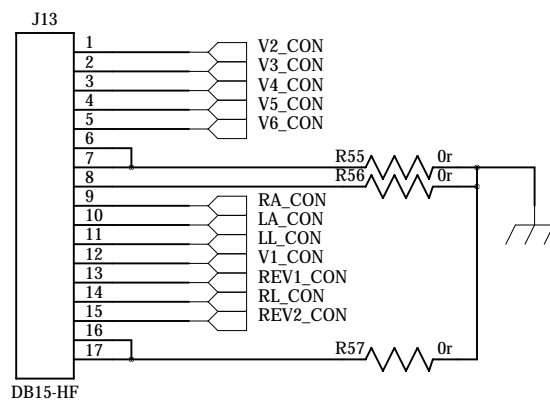
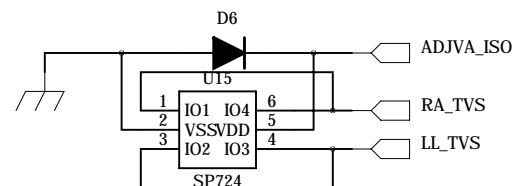
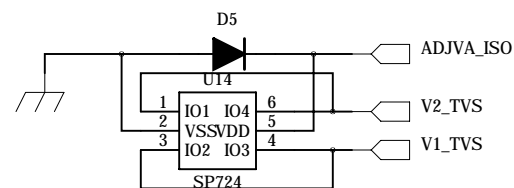
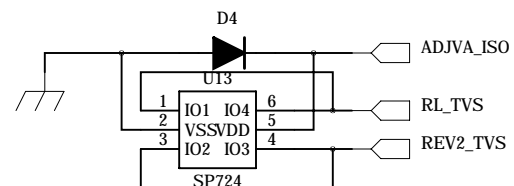
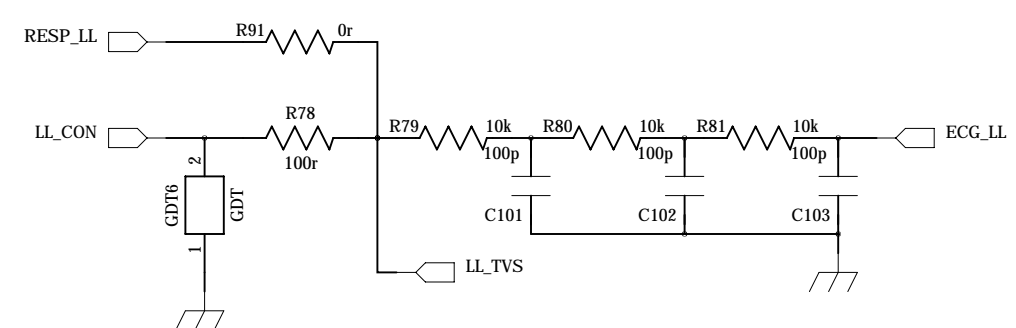
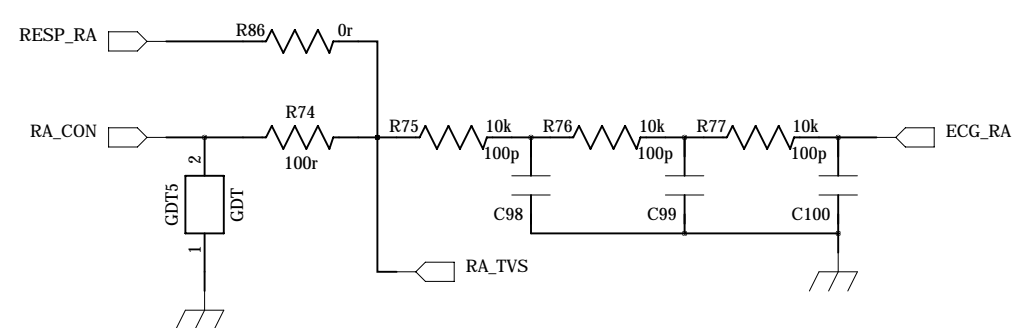
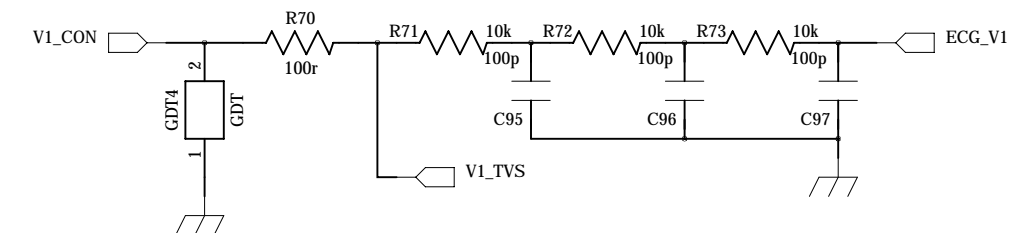
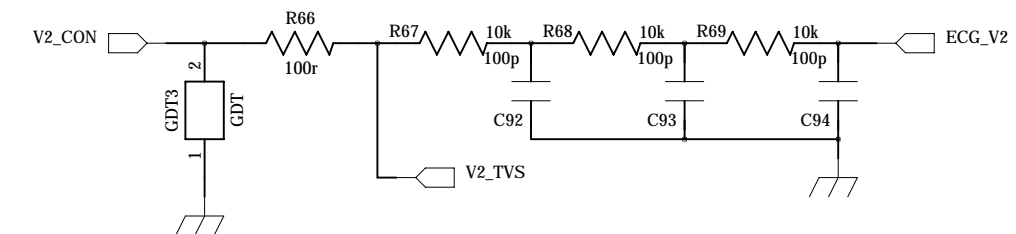
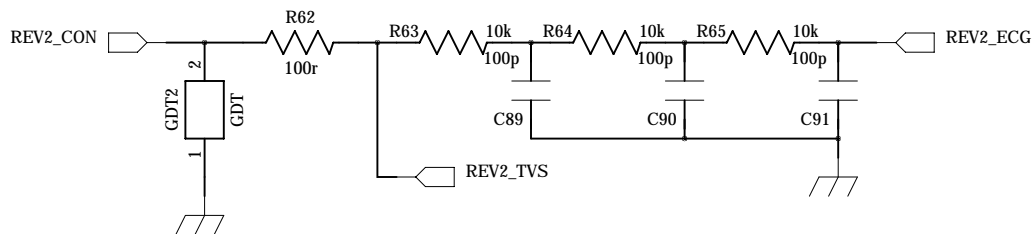
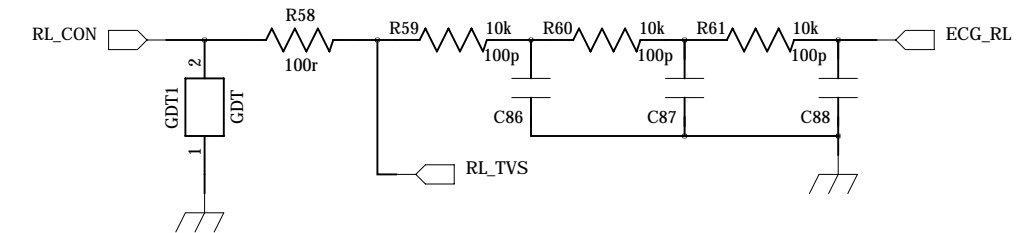
2

1

REVISION RECORD			
LTR	ECO NO:	APPROVED:	DATE:

D

D



C

C

B

B

A

A

COMPANY: Analog Devices, Inc.

TITLE: ECG

DRAWN: <Drawn By>	DATED: <Drawn Date>
CHECKED: <Checked By>	DATED: <Checked Date>
QUALITY CONTROL: <QC By>	DATED: <QC Date>
RELEASED: <Released By>	DATED: <Release Date>

CODE:	SIZE:	DRAWING NO:	REV:
<Code>	B	<Drawing Number>	<Revision>
SCALE: <Scale>			SHEET: 6 OF 7

6

5

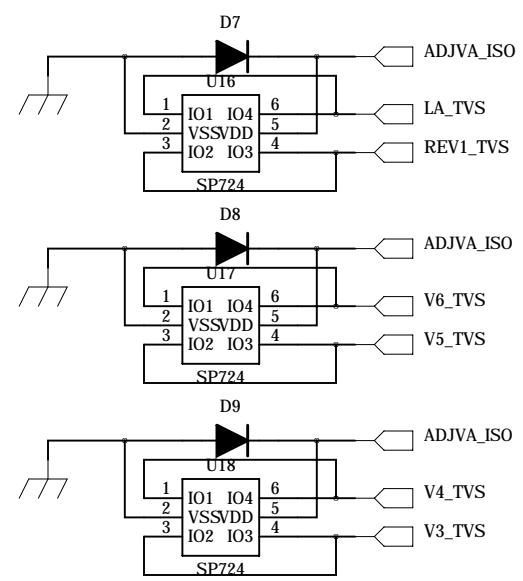
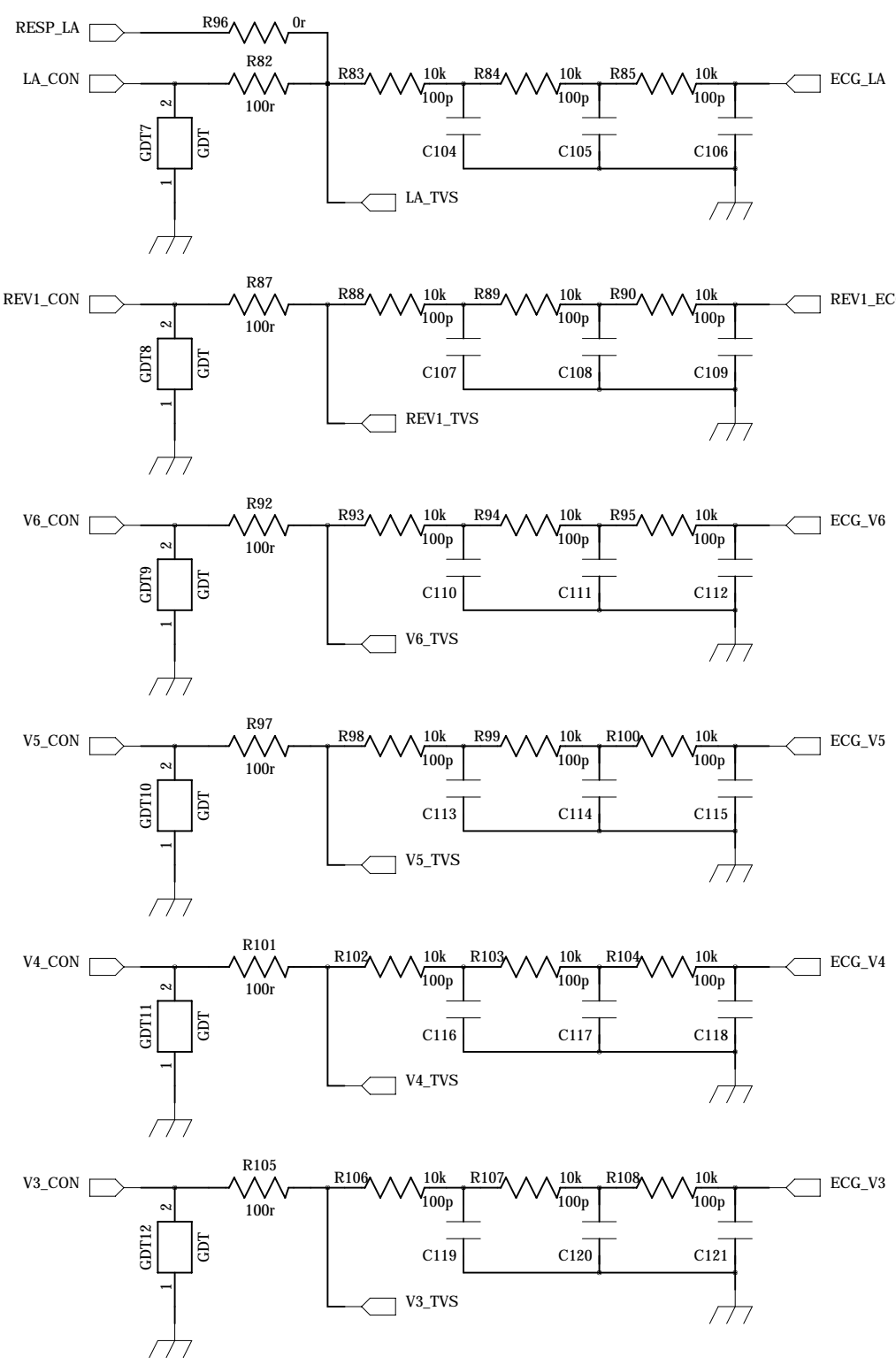
4

3

2

1

REVISION RECORD			
LTR	ECO NO:	APPROVED:	DATE:



COMPANY: **Analog Devices, Inc.**

TITLE: **ECG**

DRAWN: <Drawn By>	DATED: <Drawn Date>
CHECKED: <Checked By>	DATED: <Checked Date>
QUALITY CONTROL: <QC By>	DATED: <QC Date>
RELEASED: <Released By>	DATED: <Release Date>

CODE:	SIZE:	DRAWING NO:	REV:
<Code>	B	<Drawing Number>	<Revision>
SCALE: <Scale>		SHEET: 7F 7	